

ROCKSTAR™

VERSAMATIC'S SOLIDS HANDLING SOLUTION

2" (50MM) SOLIDS HANDLING PLASTIC FLAP PUMP

CE

SAFE LIGHTWEIGHT & PORTABLE

Just 58 lbs. (27 kg) with ergonomic handles

SOLIDS HANDLING RANGE

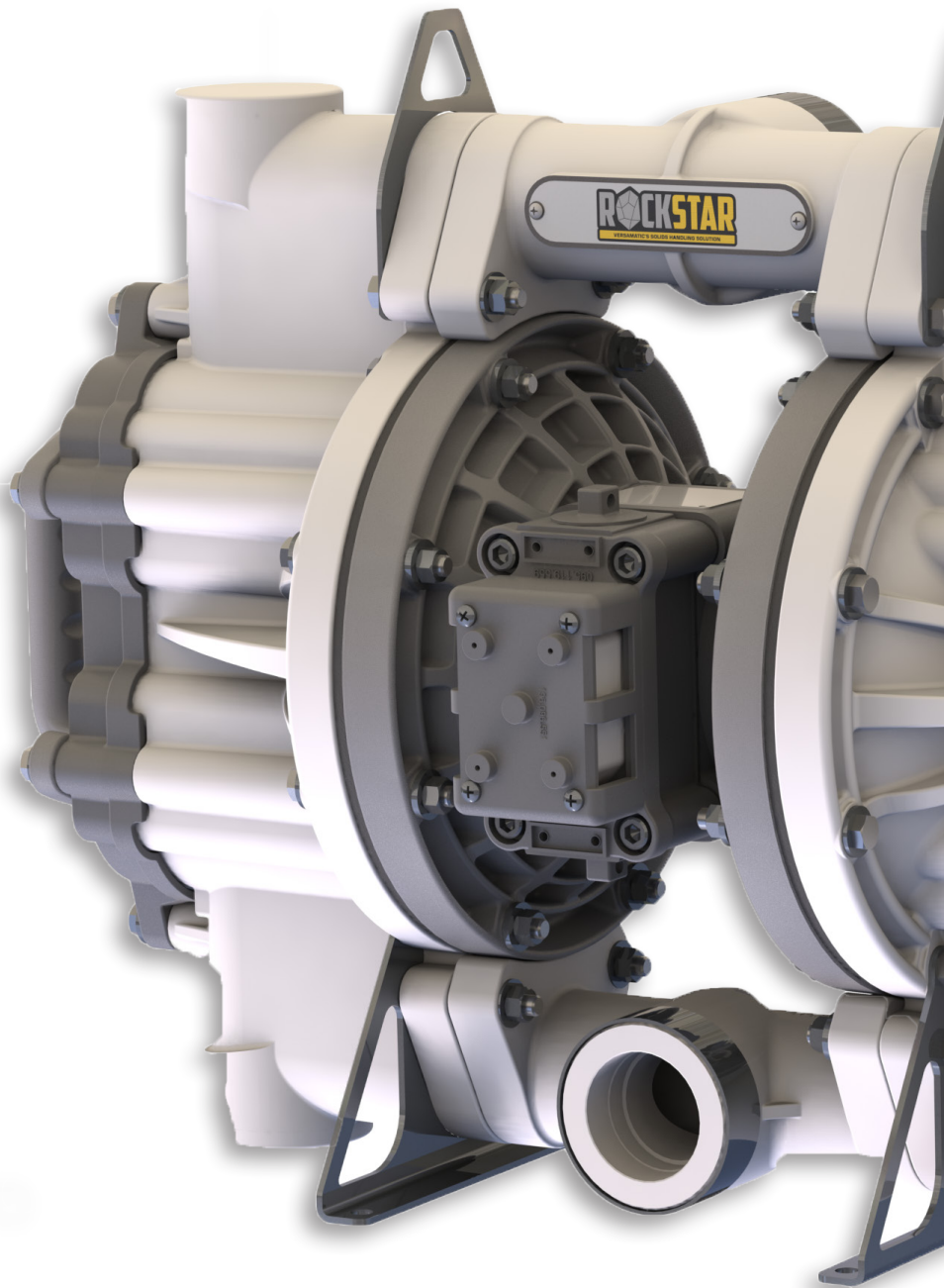
Up to 1.8" (46mm)

GRAVITY ASSIST DESIGN

Top suction / Bottom discharge ideal for pumping liquids with settling solids

SUPERIOR PERFORMANCE

Best in class maximum flows and efficiency:
170 GPM (644 lpm)



VERSAMATIC®
PUMPING MADE EASY

TARGET APPLICATIONS:

- ✓ Mining - Dewatering / Slurry transfer
- ✓ Chemical - Sump evacuation
- ✓ Food - Blood transfer / Wastewater

LIGHTWEIGHT & DURABLE

The plastic, lightweight design makes it easily portable at 58 lbs. (27 kg)

ERGONOMIC HANDLE

Lifting handles come standard, allowing for easy pump transport; handles can be rotated 90 degrees for proper ergonomics, depending on desired use

RUGGED DESIGN

Stainless steel flap valves and seats prevent abrasion when pumping solids laden fluids

OPTIMUM SOLIDS HANDLING

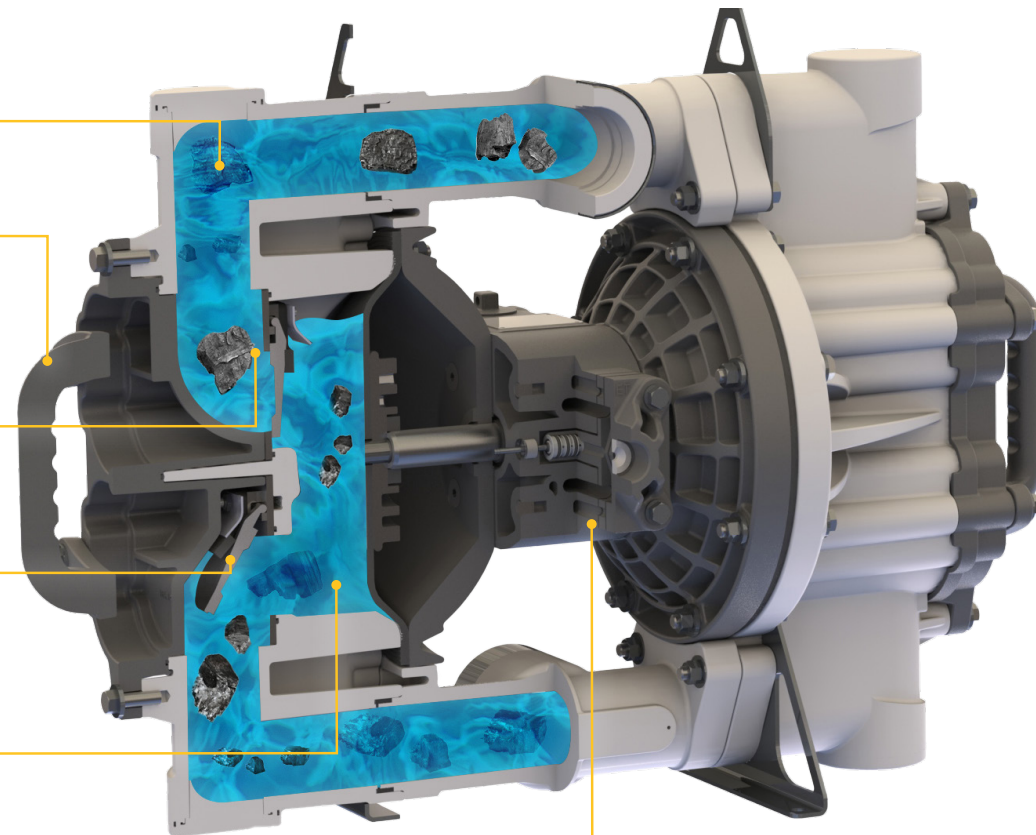
Hinge pads exert positive pressure on the flaps, allowing the pump to operate in virtually any position; they help deliver superior suction lift and flow rates

LONG LIFE

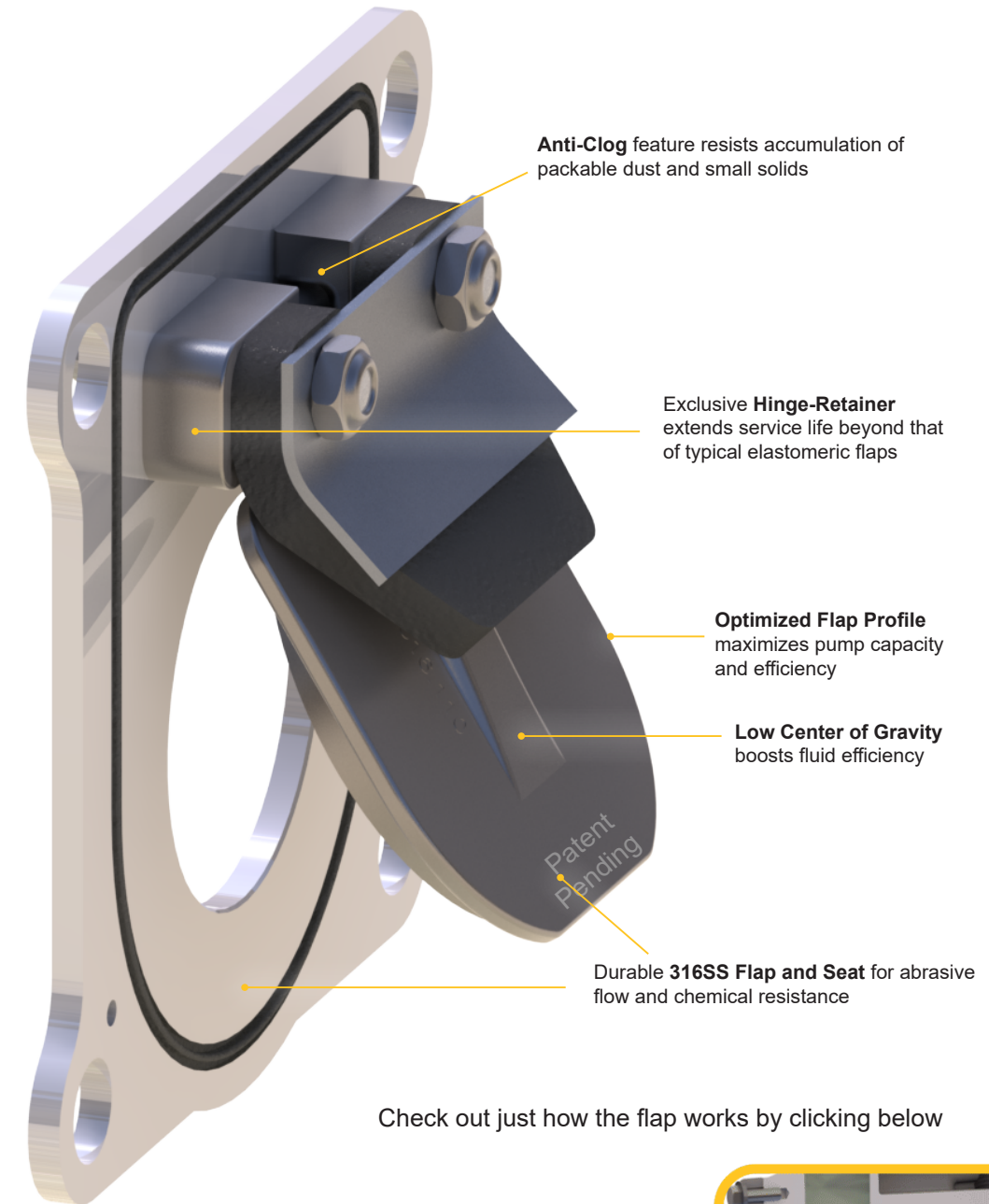
A proven diaphragm design in conjunction with exclusive wear pads reduce plate abrasion, delivering extended life

SIMPLE MAINTENANCE

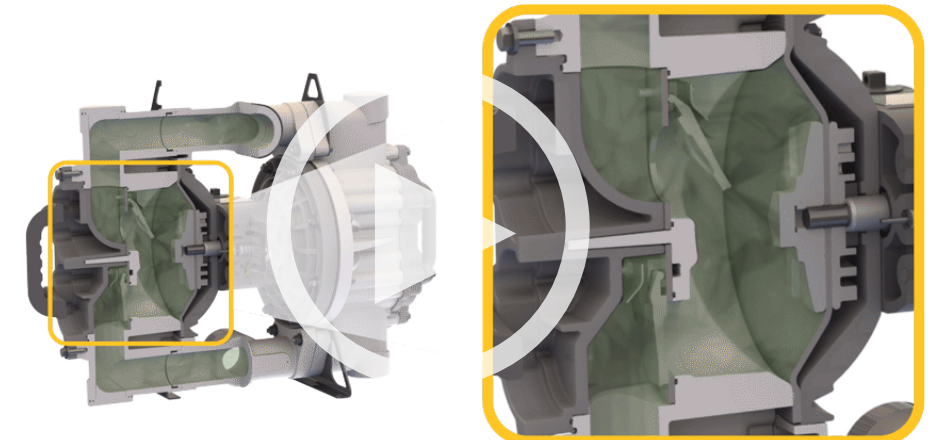
Our Air Distribution System and externally serviceable flap valve modules make in-field service quick and easy, saving you from unnecessary downtime



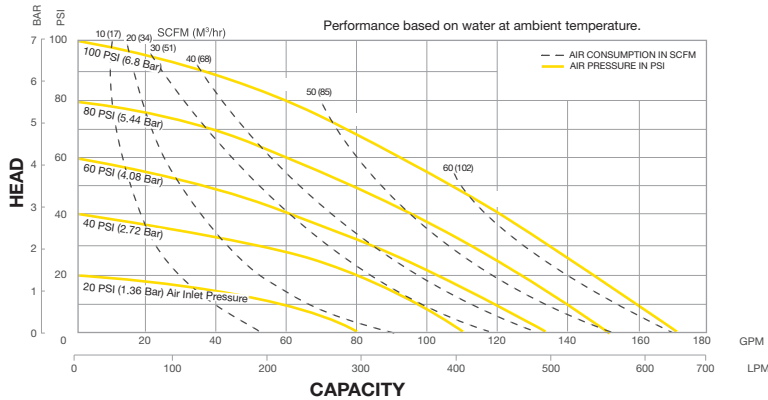
PATENT PENDING FLAP – FEATURES & BENEFITS



Check out just how the flap works by clicking below



PERFORMANCE & DIMENSIONS



MAX CAPACITY
170 GPM (644 LPM)

DISPLACEMENT PER STROKE
.50 Gal (1.9 L)

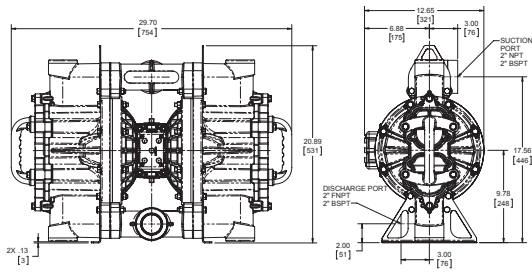
MAX DISCHARGE PRESSURE
100 PSI (7.0 BAR)

PIPE SIZE
2" NPT / BSP / ANSI / DIN Flange

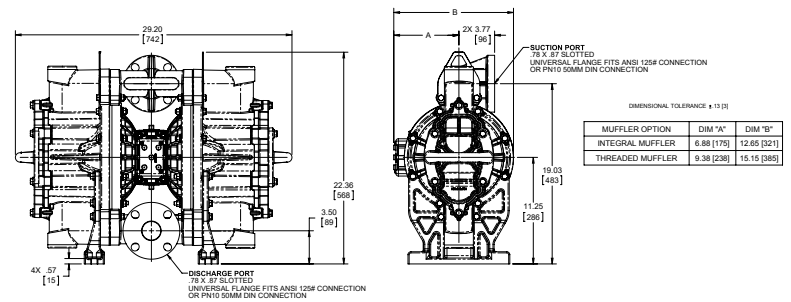
MAX SOLIDS HANDLING
1.8" (46mm)

AIR END/WET END
Polypropylene / Stainless Steel Seats
and Flap Valves
(Wet End Only)

2" PLASTIC FLAP VALVE PUMP WITH THREADED PORTING



2" PLASTIC FLAP VALVE PUMP WITH FLANGED PORTING



EASE OF MAINTENANCE

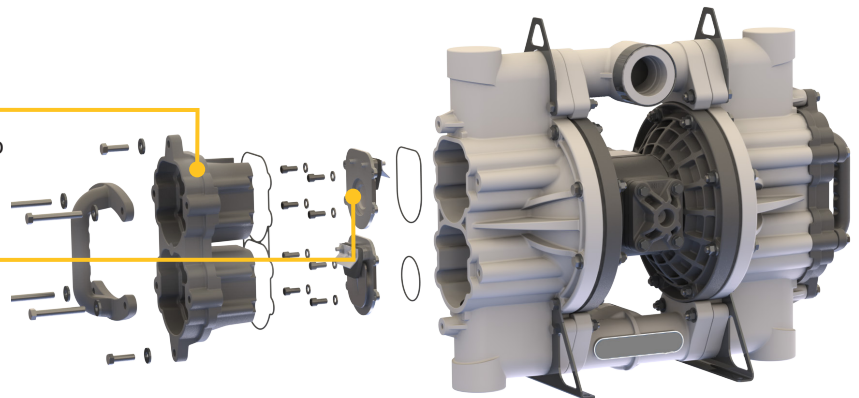
Quick Access to Serviceable Components

REMOVE CLEAN-OUT CAP

By simply removing six bolts securing the clean-out cap in place, it allows access to clear simple clogs without disassembling the entire pump

MODULAR CHECK VALVE ACCESS

With the clean-out cap removed, the flap valves can be inspected and / or replaced as needed; four bolts hold the modular flap valves in place for quick maintenance and repair



Warren Rupp, Inc. | A Unit of IDEX Corporation
800 North Main Street | Mansfield, OH 44902 USA
Phone: 419.526.7296 | Fax: 419.526.7289



VM_BRO_Rockstar-0822

©Copyright 2022 Warren Rupp, Inc. All Rights Reserved.