

Performance

**Mini Pumps that Deliver
Maximum Performance**

Compact

Fit in your hand

Powerful

Pump up to 6.8 GPM

Adaptable

Mount in any configuration

Versatile

Available in a variety of materials

Dependable

Elima-Matic® Air Valve System
with Shoe Valve technology

Repairable

Kits available for both air and wet end

**VERSA-MATIC
PUMP**

E8
3 / 8 INCH
PUMPS

***Ink & Pigment
Dispensing***

Car Wash Applications

***Oil and Quick Lube
Applications***

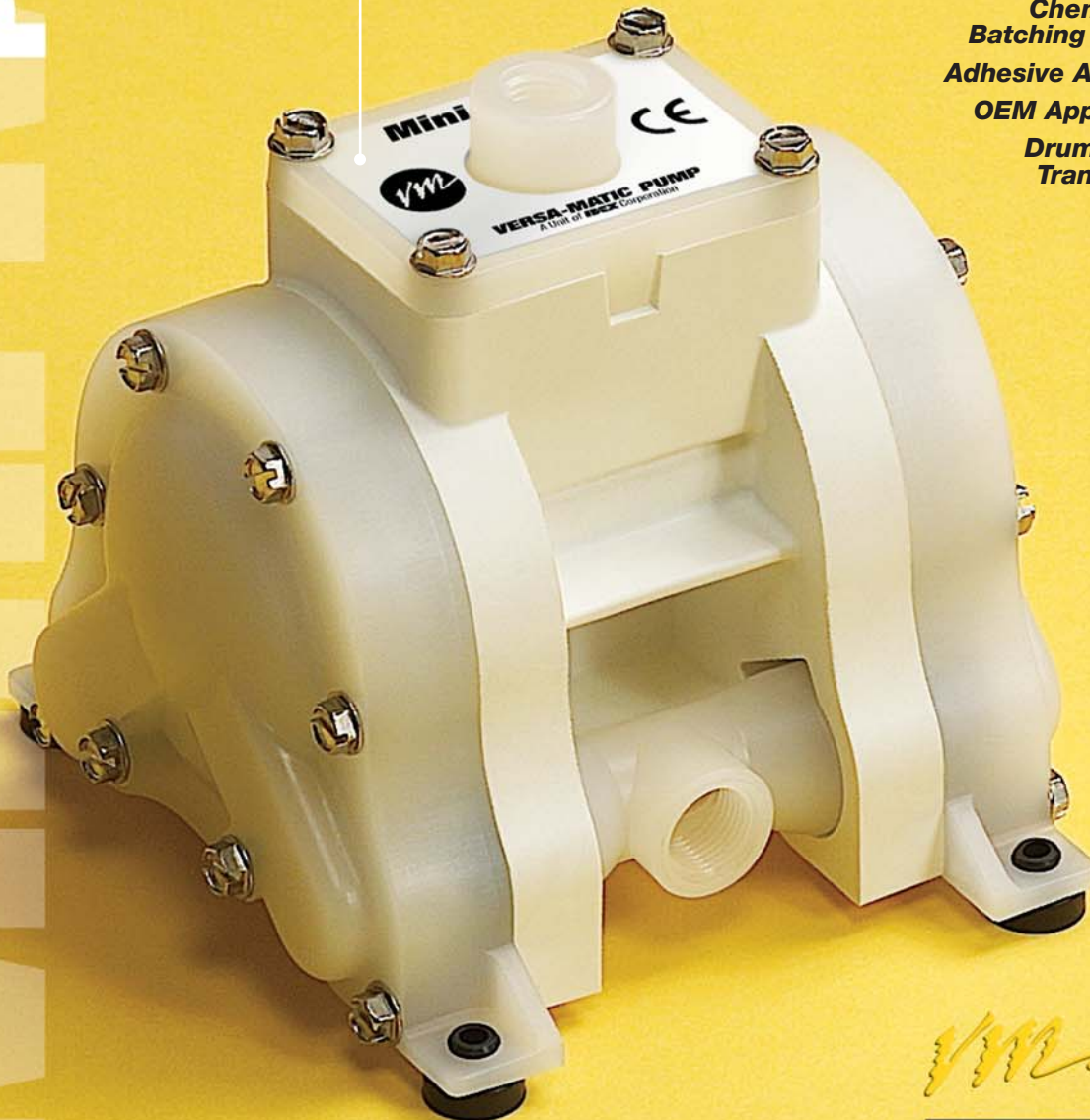
Foaming Applications

***Chemical
Batching & Dosing***

Adhesive Applications

OEM Applications

***Drum/Pail
Transfer***



Mini-Matic™ 3/8" Pumps with Elima-Matic® Air Valve Technology



Bridging the gap between 1/4" and 1/2" pumps, the new Versa-Matic Mini-Matic™ 3/8" pumps pack a lot into a compact, **economical** package. Small enough to fit in your hand, the Mini-Matics can pump up to **6.8 gallons per minute**. And because they feature our patented Elima-Matic® Air Valve System you can count on **non-stalling, non-icing, lube-free** operation as well as the **elimination of blow-by**.

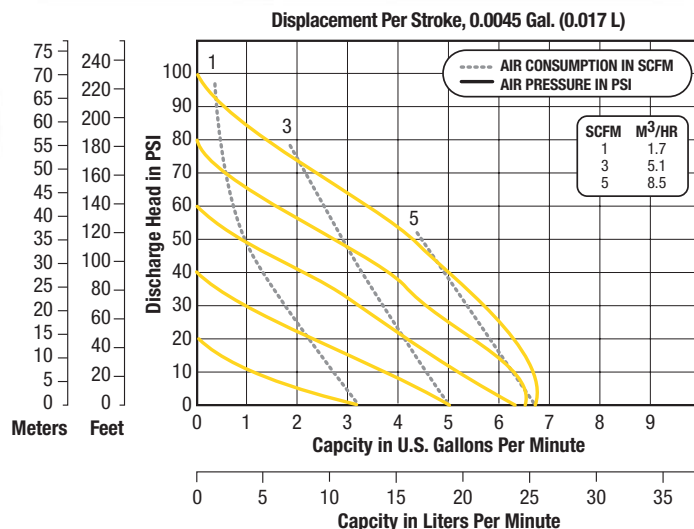


The Mini-Matics also offer tremendous **versatility**. They can be **mounted upright, sideways** and even **inverted** to adapt to your application. Available in **Polypropylene** and **Kynar®** wetted materials of construction, with **XL (Santoprene®)**, **Geolast®** or **Teflon®** interior.

For a mini pump that delivers the max, turn to a Versa-Matic Mini-Matic. Consult your authorized distributor for more details.

PERFORMANCE

E8



SPECIFICATIONS

E8

	English	Metric
Flow rate		
adjustable to	0-6.8 gpm	0-26 lpm
Port size		
Inlet and Outlet	3/8" NPTF (BSP)	
Air inlet	0.25" NPTF	
Air exhaust	0.25" NPTF	
Suction lift dry	11'	3.4 m
Teflon® dry	11'	3.4 m
Max. particle size		
Diameter	0.10"	2.5 mm
Shipping weight		
Polypropylene	3.0 lbs	1.4 kg
Kynar	3.0 lbs	1.4 kg

Teflon® is a registered trademark of DuPont.
Kynar® is a registered trademark of Penwalt Corp.
Geolast® and Santoprene® are registered trademarks of Advanced Elastomer Systems.

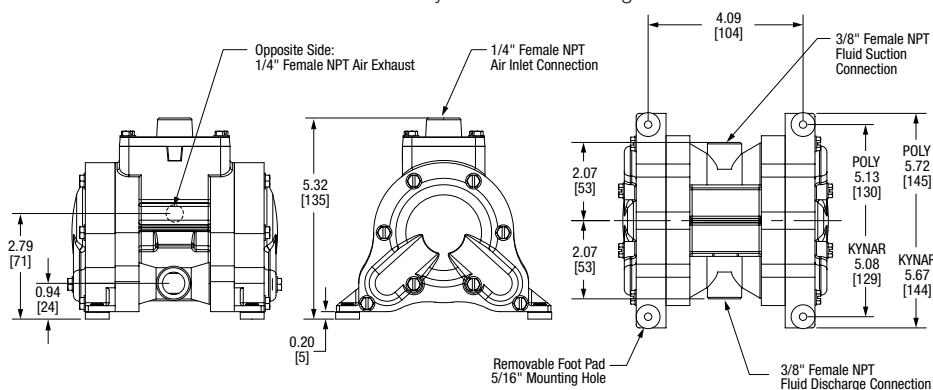
Caution: Do not exceed 100 PSIG (6.8 bars) air supply or liquid pressure.

DIMENSIONS

E8

Mini-Matic Plastic Pumps

Consult factory for certified drawings



Measurements in inches (millimeters)

Available Models

Poly pump w/XL E8PP6XK69	Kynar pump w/XL E8KP6XK69
Poly pump w/Geolast E8PP9XK99	Kynar pump w/Geolast E8KP9XK99
Poly pump w/Teflon E8PP5TKP9	Kynar pump w/Teflon E8KP5TKP9



VERSA-MATIC® PUMP COMPANY

A Unit of IDEX Corporation
6017 Enterprise Drive
Export, PA 15632-8969

(724) 327-7867

Fax: (724) 327-4300

www.versamatic.com



©2004 IDEX Corporation

VME8-0704-1