

**VERSA-MATIC  
PUMP**

# E5

## HALF INCH PUMPS

**OEM Systems**

**Inks**

**Chemicals**

**Resins**

**Paints and Coatings**

**Plating**



### Multiple Porting Options

Top, side and end porting for both inlet and discharge



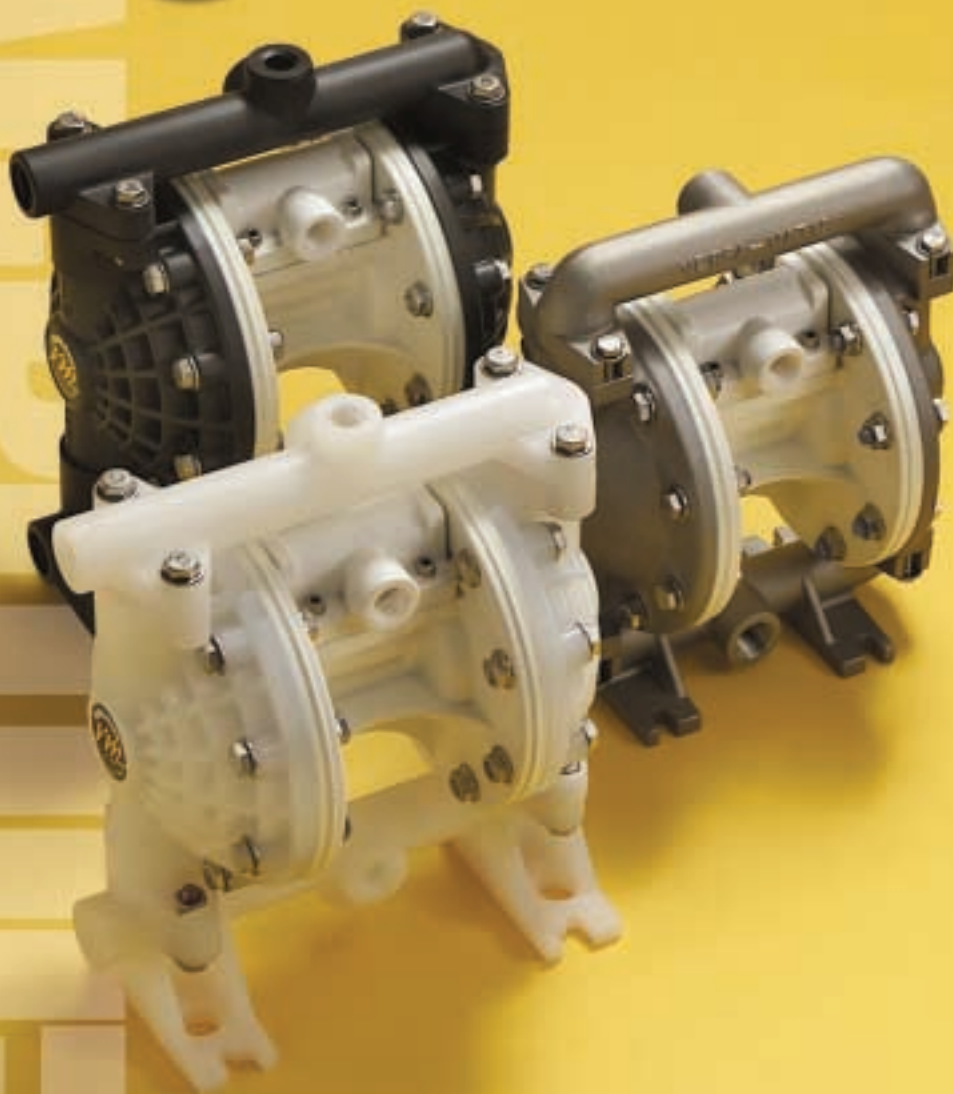
### Shoe Valve Technology

Fewer moving parts for dependable service and simplified maintenance



### Adaptable Footprint

Allows for drop-in placement in existing system configurations



# E5 1/2" Bolted Pumps with Plastic Center Sections



The redesigned E5 1/2" Bolted Pump features our Elima-Matic® Air Valve System with Shoe Valve technology. The result is **non-stalling, non-icing and lube-free** operation plus the **elimination of blow-by** when the pump is on line but not in use.

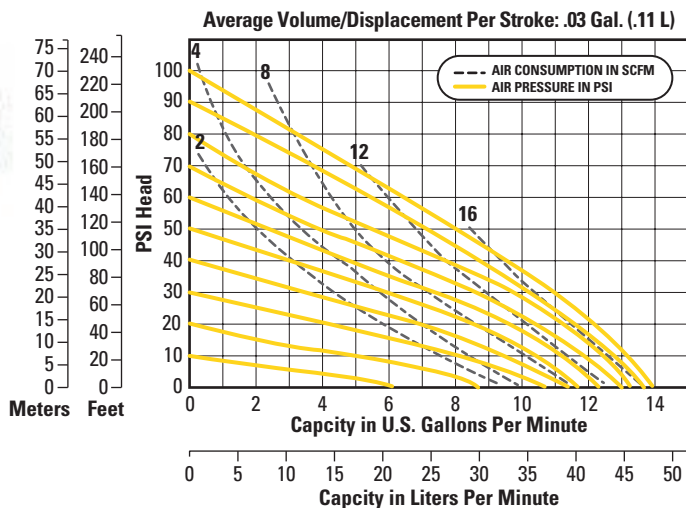
Constructed of plastic, the center section **resists corrosion** from even the most aggressive chemicals, while providing **improved operation** and **ease of maintenance**. The plastic E5 model offers **top, side and end ports for both inlet and discharge** to provide greater installation options. And the **leak-free bolted construction** of the E5 comes in a variety of different materials, which makes the pump perfect for all of your less-than-perfect conditions.

What's more, the E5P **adaptable footprint** is designed to conform to your system, so you won't need to adjust your system to fit the pump. Consult your authorized distributor for more details.



## PERFORMANCE

E5



## SPECIFICATIONS

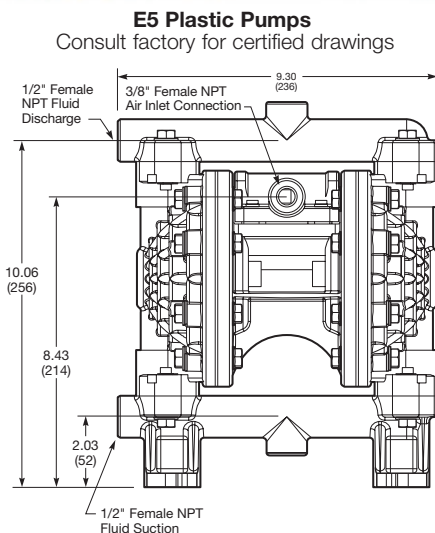
E5

	English	Metric
<b>Flow rate</b>		
adjustable to	0-14 gpm	0-53 lpm
<b>Port size</b>	1" 150# ANSI	
Inlet and Outlet	DIN #25 Flange	
<b>Air inlet</b>	0.375" NPTF	
<b>Air exhaust</b>	0.375" NPTF	
<b>Suction lift*</b>		
Dry (Teflon®)	20' (5')	6.10 m (1.52 m)
Wet (Teflon®)	25' (10')	7.62 m (3.05 m)
<b>Max. particle size</b> (Diameter)	0.0625"	1.6 mm
<b>Shipping weight</b>		
Polypropylene	6.795 lbs	3.08 kg
Conductive Acetal	8.5 lbs	3.86 kg
Kynar®	9.405 lbs	4.27 kg
Aluminum	15 lbs	6.80 kg
Stainless Steel	18 lbs	8.17 kg
Hastelloy C	18 lbs	8.17 kg

Teflon® is a registered trademark of DuPont.  
Kynar® is a registered trademark of Penwalt Corp.

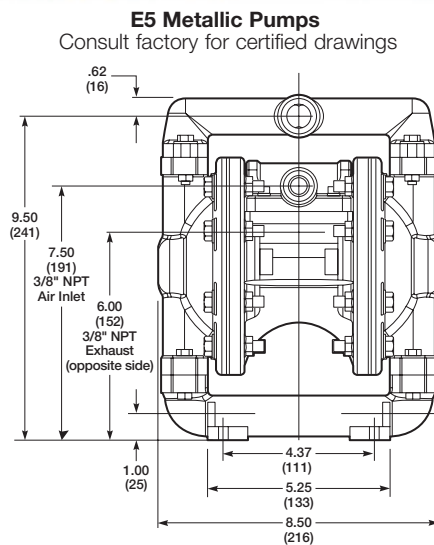
## DIMENSIONS

E5P



## DIMENSIONS

E5M



Measurements in inches (millimeters)

\* For E5 pumps fitted with Teflon® diaphragms, reduce water discharge figures by 20%.  
Suction lift is reduced to 5' (1.52 m) dry and 10' (3.05 m) wet.



## VERSA-MATIC® PUMP COMPANY

A Unit of IDEX Corporation  
6017 Enterprise Drive  
Export, PA 15632-8969

(724) 327-7867

Fax: (724) 327-4300

www.versamatic.com



©2003 IDEX Corporation

VM-0603-1