

E5 DATA SHEET

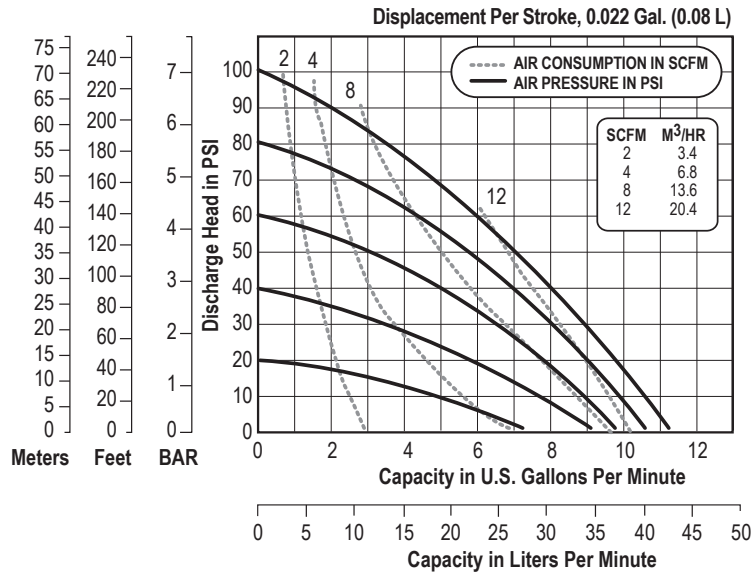
SPECIFICATIONS & PERFORMANCE

1/2" Bolted Plastic

with Metal and Plastic Center Sections

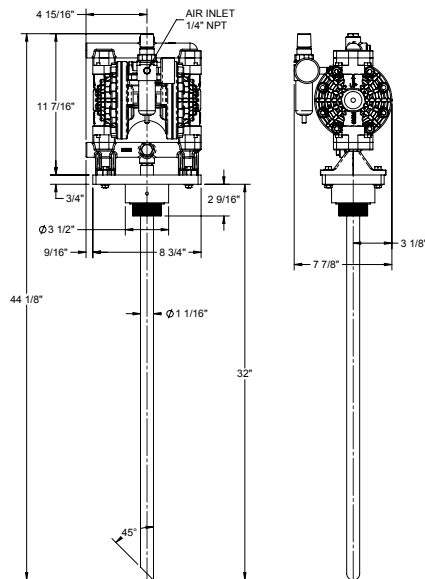
Fasspumpe Druckluftmembranpumpe

PERFORMANCE



NOTE: Performance based on the following: elastomeric fitted pump, flooded suction, water at ambient conditions. The use of other materials and varying hydraulic conditions may result in deviations in excess of 5%.

DIMENSIONS



SPECIFICATIONS

Flow Rate

Adjustable to 0-11 gpm (53 lpm)

Port Size

Suction 1/2" NPT

Discharge 1/2" NPT

Air Inlet (Pump) 3/8" NPT

Air Inlet (Filter / Regulator) . . . 1/4" NPT

Air Exhaust 3/8" NPT

Suction Lift

Dry 12' (3.6 m)

Wet 30' (9.1 m)

Max Solid Size (Diameter)

. 1/16" (1.6 mm)

Shipping Weights

Polypropylene 11 lbs (4.9 kg)



VERSAMATIC®

Warren Rupp, Inc. | A Unit of IDEX Corporation
800 North Main Street | Mansfield, OH 44902 USA
Phone: 419.526.7296 | Fax: 419.526.7289

VERSAMATIC.COM

e5ppDrumnmDIC-rev0519

©Copyright 2019 Warren Rupp, Inc. All Rights Reserved.