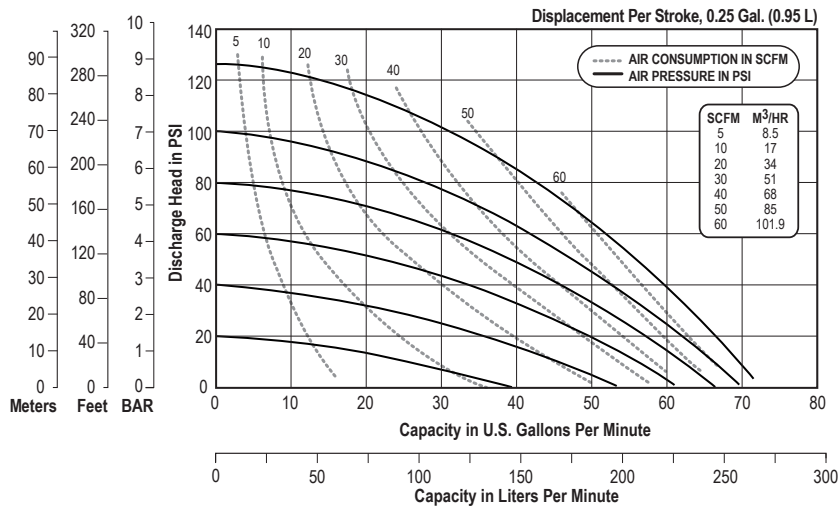


E4 DATA SHEET

SPECIFICATIONS & PERFORMANCE

1 1/2" Clamped Metal with Metal Center Section

PERFORMANCE



NOTE: Performance based on the following: elastomeric fitted pump, flooded suction, water at ambient conditions. The use of other materials and varying hydraulic conditions may result in deviations in excess of 5%.

SPECIFICATIONS

Flow Rate

Adjustable to . . . 0-71 gpm (268 lpm)

Port Size

Suction 1 1/2" NPT

Discharge 1 1/4" NPT

Air Inlet 1/2" NPT

Air Exhaust 3/4" NPT

Suction Lift

Dry 19' (5.8 m)

Wet 31' (9.4 m)

Max Solid Size (Diameter)

. 3/16" (4.76 mm)

Max Noise Level 101 dB(A)

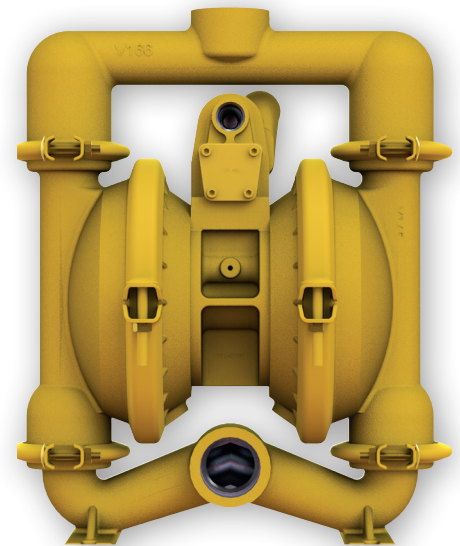
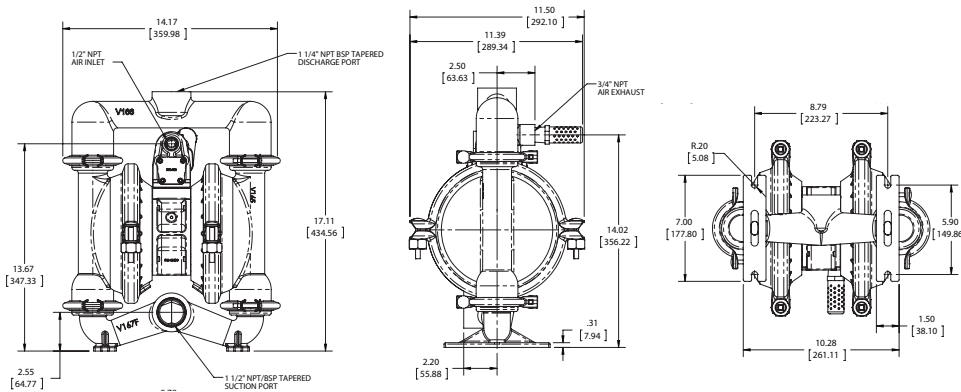
Shipping Weights

Aluminum 55 lbs (25 kg)

Cast Iron 95 lbs (43 kg)

Stainless Steel 92 lbs (42 kg)

DIMENSIONS



VERSAMATIC®

Warren Rupp, Inc. | A Unit of IDEX Corporation
800 North Main Street | Mansfield, OH 44902 USA
Phone: 419.526.7296 | Fax: 419.526.7289

VERSAMATIC.COM

e4mdlAdsATEXC-rev0519

©Copyright 2019 Warren Rupp, Inc. All Rights Reserved.

E4 DATA SHEET

SPECIFICATIONS & PERFORMANCE

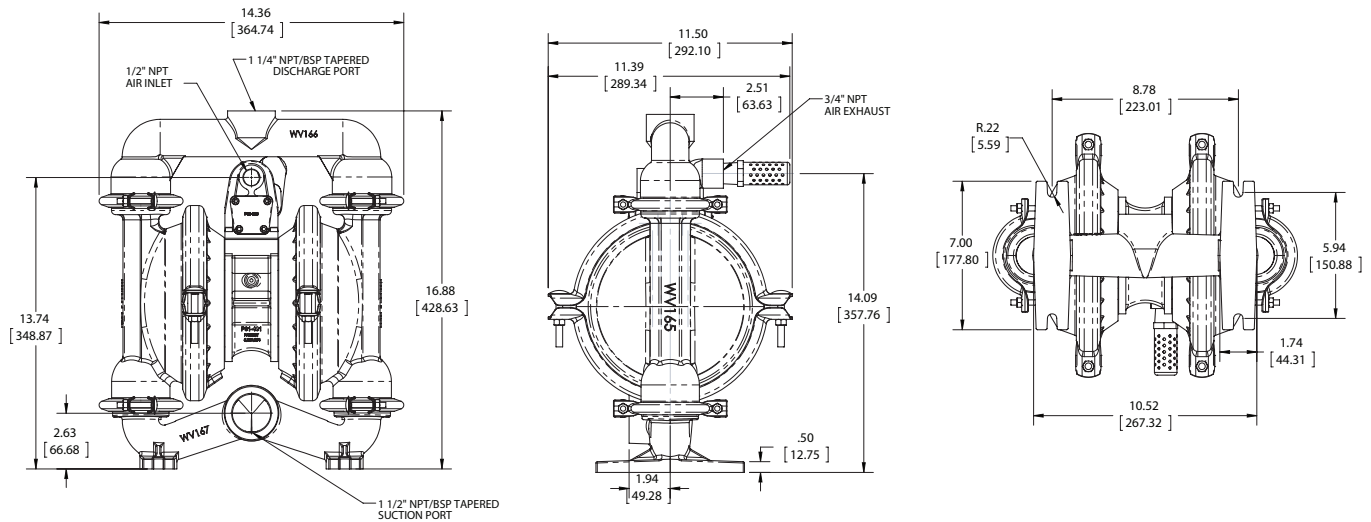
1 1/2" Clamped Metal with Metal Center Section

DIMENSIONS

E4 Clamped Metal - Cast Iron

Dimensions in inches (metric dimensions in brackets)

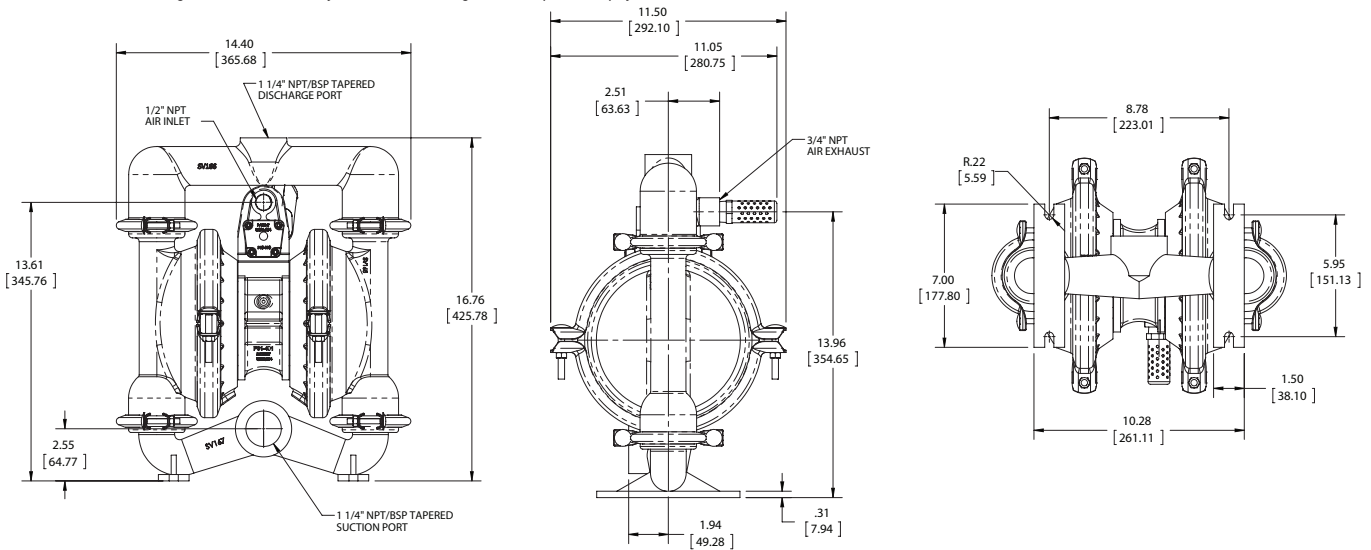
The dimensions on this drawing are for reference only. A certified drawing can be requested if physical dimensions are needed.



E4 Clamped Metal - Stainless Steel

Dimensions in inches (metric dimensions in brackets)

The dimensions on this drawing are for reference only. A certified drawing can be requested if physical dimensions are needed.



VERSAMATIC®

Warren Rupp, Inc. | A Unit of IDEX Corporation
800 North Main Street | Mansfield, OH 44902 USA
Phone: 419.526.7296 | Fax: 419.526.7289

VERSAMATIC.COM

e4mdlAdsATEXC-rev0519

©Copyright 2019 Warren Rupp, Inc. All Rights Reserved.