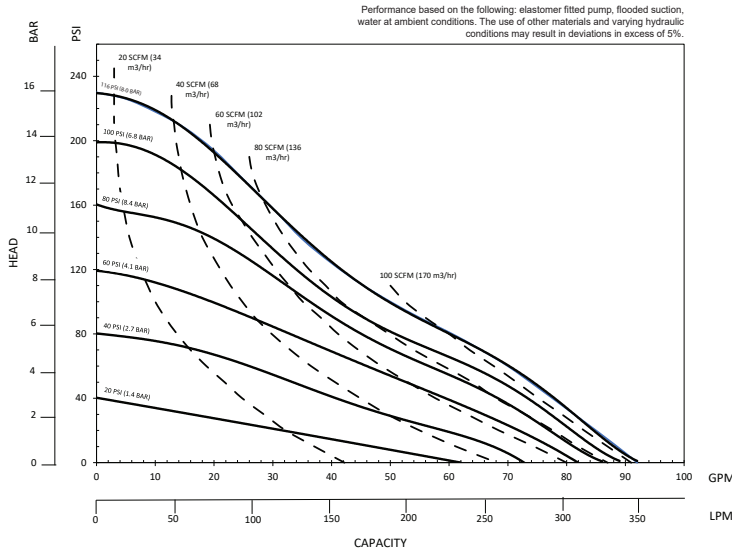


E2 HP DATA SHEET

SPECIFICATIONS & PERFORMANCE

E2-HP 2" High Pressure Pumps

PERFORMANCE



NOTE: Performance based on the following: elastomeric fitted pump, flooded suction, water at ambient conditions. The use of other materials and varying hydraulic conditions may result in deviations in excess of 5%.

SPECIFICATIONS

Flow Rate

Adjustable to 0-92 gpm (348 lpm)

Port Size

Suction 2.0" NPTF

Discharge 2.0" NPTF

Air Inlet 3/4" NPT

Air Exhaust 3/4" BSP

Max Solid Size (Diameter)

. 0.25" (6mm)

Shipping Weights

Aluminum 113.5 lbs (51.5kg)

Stainless Steel 165.3 lbs (75 kg)



VERSAMATIC®

Warren Rupp, Inc. | A Unit of IDEX Corporation
800 North Main Street | Mansfield, OH 44902 USA
Phone: 419.526.7296 | Fax: 419.526.7289

VERSAMATIC.COM

n50-rev0519

©Copyright 2019 Warren Rupp, Inc. All Rights Reserved.

E2 HP DATA SHEET

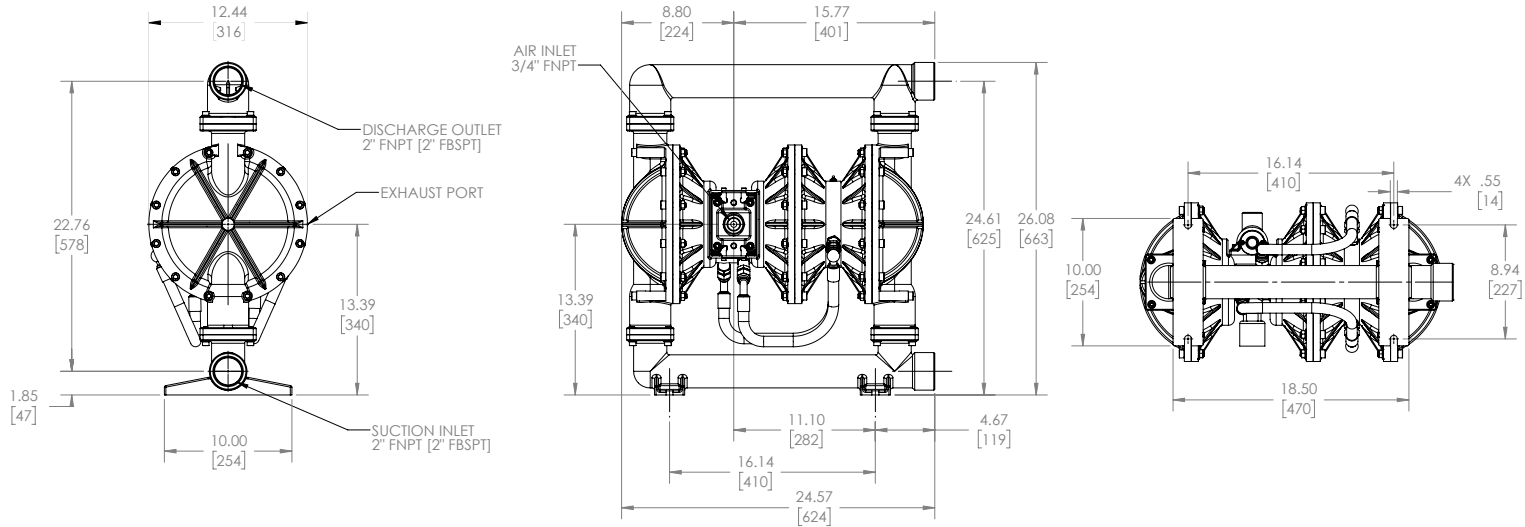
SPECIFICATIONS & PERFORMANCE

E2 2" High Pressure Pumps

DIMENSIONS

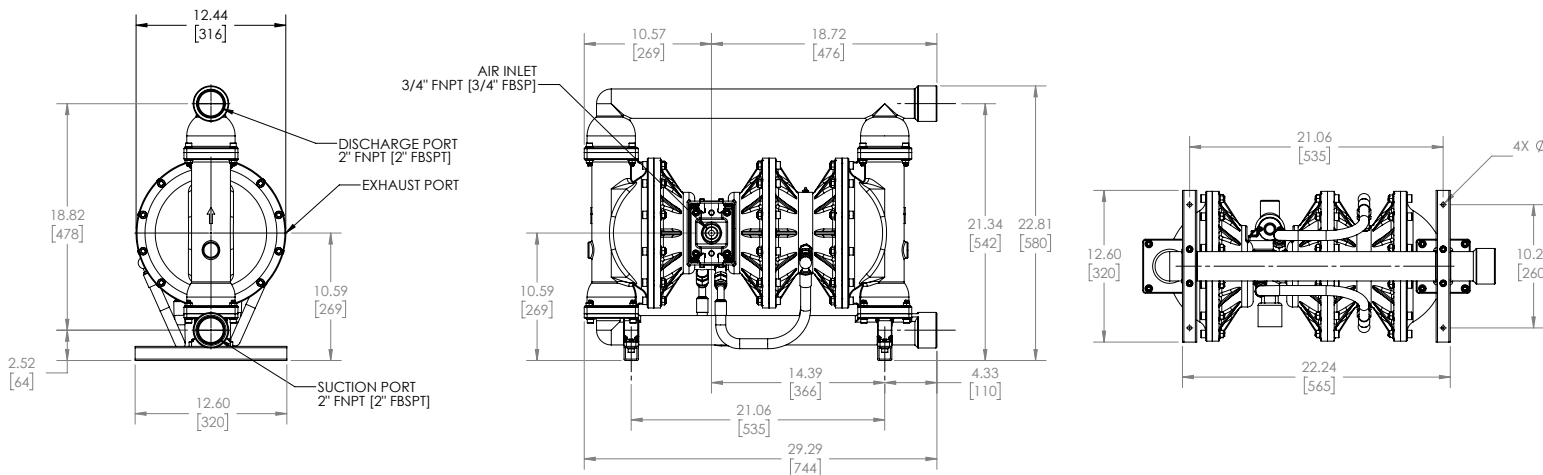
E2 High Pressure - Aluminum Model

Dimensions are $\pm .13"$ (3mm). Figures in parenthesis = millimeters



E2 High Pressure - Stainless Model

Dimensions are $\pm .13"$ (3mm). Figures in parenthesis = millimeters



VERSAMATIC®

Warren Rupp, Inc. | A Unit of IDEX Corporation
800 North Main Street | Mansfield, OH 44902 USA
Phone: 419.526.7296 | Fax: 419.526.7289

VERSAMATIC.COM

n50-rev0519

©Copyright 2019 Warren Rupp, Inc. All Rights Reserved.