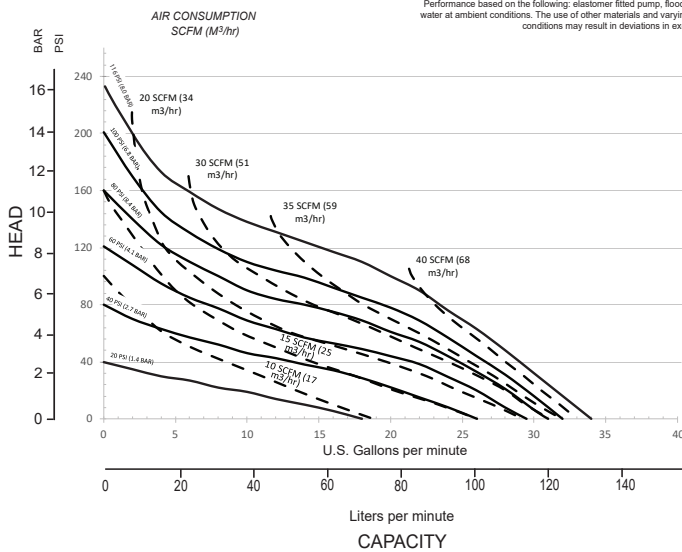


E1 HP DATA SHEET

SPECIFICATIONS & PERFORMANCE

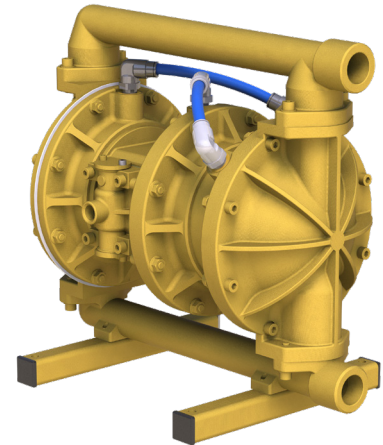
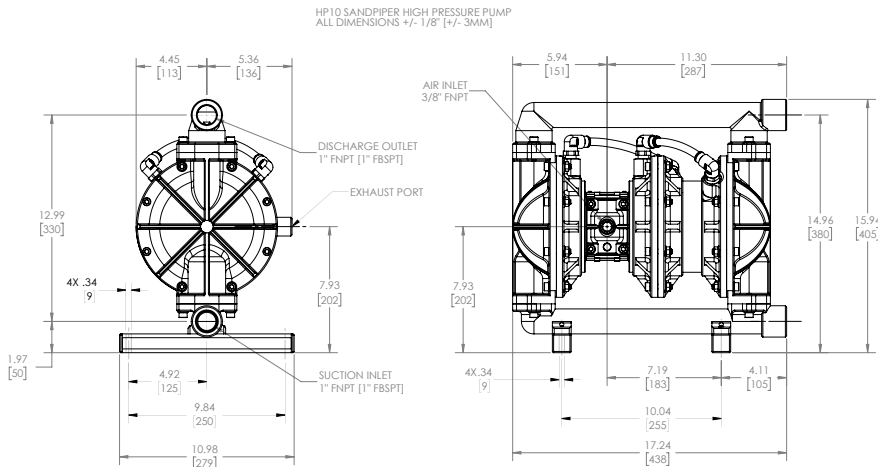
E1-HP 1" High Pressure Pumps

PERFORMANCE



NOTE: Performance based on the following: elastomeric fitted pump, flooded suction, water at ambient conditions. The use of other materials and varying hydraulic conditions may result in deviations in excess of 5%.

DIMENSIONS



SPECIFICATIONS

Flow Rate

Adjustable to 0-33 gpm (125 lpm)

Port Size

Suction 1.0"

Discharge 1.0"

Air Inlet 3/8" NPT

Air Exhaust 1/2" BSP

Max Solid Size (Diameter)

. 1/8" (3 mm)

Shipping Weights

Aluminum 52.2 lbs (25.5kg)

Stainless Steel 76.1 lbs (34.5kg)



Warren Rupp, Inc. | A Unit of IDEX Corporation
800 North Main Street | Mansfield, OH 44902 USA
Phone: 419.526.7296 | Fax: 419.526.7289

VERSAMATIC.COM

E1HP-rev0721

©Copyright 2019 Warren Rupp, Inc. All Rights Reserved.